

KURO™

ROLLER SHADES





ENLIGHTENED DARKENING

Windows bring benefits. Natural light reduces the energy consumption, and therefore carbon emissions, caused by artificial lighting. Views to the world outside are essential to our health and wellbeing. There are, however, many reasons why we need to temporarily cut out the light entering a room.

Modern display equipment such as whiteboards and projector screens can be rendered useless in bright daylight conditions. Display screen equipment needs to be viewed safely, without eye strain. Laboratories often require darkness; night shift workers need to sleep in the day; the list goes on...

Evidently we need a product that easily and reliably alternates between the benefits of daylight and the needs of darkening.

Kuro™ blackout blinds are purpose designed to meet this requirement.

Kuro™ features bespoke extruded aluminium profiles, which have been created to look great whilst being eminently functional. These profiles all feature brush seals to reduce light ingress. The beauty is in the simplicity. Specifiers, installers and users of this system will all appreciate its unique benefits.

And the inside lives up to the promise of the outside. **Kuro™** contains the renowned **Helios™** roller shade hardware, a robust and proven system backed by a 12 year warranty. With a choice of chain, crank handle or motorised operation, you will find a reliable and user-friendly option.

From simple, manually operated blackout blinds through to full automation, capable of integration with lighting or audio-visual systems, **Kuro™** provides you with a solution that is both dependable and delightful.

Kuro™ : Brighter Shading™

KURO™ ROLLER SHADE FEATURES



FAST AND SMOOTH

Side chain operation

- German-made heavy duty mechanism.
- 2Nm lifting force.
- 1:1 direct drive.



STRONG AND LIGHT

Crank handle operation

- German-made gearbox.
- 3.5Nm lifting force.
- 3:1 reduction gear.



SAFE AND EASY

Crank handle operation

- Safer option - no hanging chains.
- Handles can be fixed or detachable.
- Detachable handles prevent unauthorised use.



ULTIMATE CONTROL

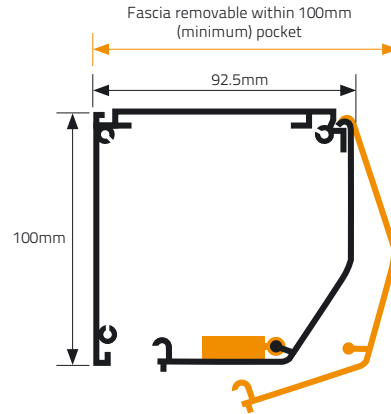
Motorised operation

- European-made motors.
- 5Nm lifting force.
- Hardwired switch or radio remote control.

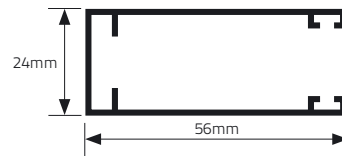


PROFILE DIMENSIONS

Cassette



Side Channel



KURO ROOFLIGHT

- Double box system featuring constant tension spring units.
- Suitable for horizontal or sloping glazing.
- Crank handle or motorised operation.
- Available with or without side channels.

- Aluminium hardware is available in white powder coated finish as standard. Powder coating to any RAL colour is available on request.



AVAILABLE OPTIONS

	HELIOS	SIRIOS	ORBIS	KURO
MAXIMUM DIMENSIONS	↔ ↑ ↕	↔ ↑ ↕	↔ ↑ ↕	↔ ↑ ↕
Manual chain	4.0m 4.0m 8m ²	2.5m 2.5m 5m ²	1.8m 1.8m 3m ²	4.0m 3.6m 8m ²
Manual crank handle	4.0m 4.0m 14m ²	2.5m 2.5m 5m ²	1.8m 1.8m 3m ²	4.0m 3.6m 14m ²
Motorised 230V AC	4.0m 4.0m 16m ²	Not available	Not available	4.0m 3.6m 14m ²
Motorised low voltage DC	Not available	2.5m 2.5m 5m ²	1.8m 1.8m 3m ²	Not available
Motorised solar powered	Not available	2.0m 2.0m 4m ²	Not available	Not available
Tension corded	Not available	Not available	1.0m 1.8m 1.8m ²	Not available
SPECIFICATION OPTIONS				
Can be coupled	✓	✓	✗	✓
Fascia	✓	✓	✗	n/a
Cassette	✓	✓	✓	✓
Side channels	Use Kuro	✓	✓	✓
Side guidewires	✓	✓	✓	n/a
Rooflight	✓	✗	✓	✓
Blackout	Use Kuro	✗	✗	✓

The above table is for guidance only. Calculations are based on fabric of 450g/m² weight and 0.5mm thickness. If you have specific requirements which you cannot see here, please contact us.

In line with our policy of continuous product development, we reserve the right to alter specifications without notice.

*All warranties are subject to our terms and conditions, available on request.

FABRICS

For the ultimate roller shades, we combine the high-quality hardware featured in this brochure with high-performance fabrics. We only work with flame retardant fabrics and offer a wide choice of plain, sunscreen, blackout or film materials.

Why not personalise your roller shade? Ask about our digital print service. Include your logo, message or photographs to create a truly bespoke finished product.

Swanmac • Blinds

t: 029 2081 1458
e: sales@swanmac.com
www.swanmac.com

