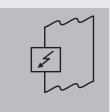


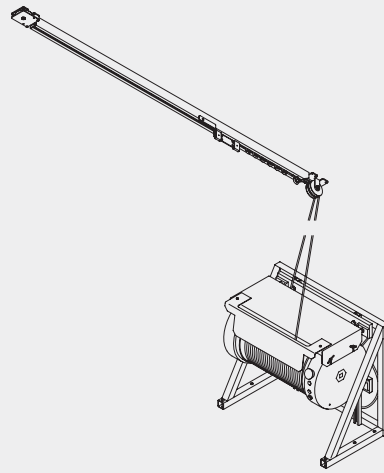
Electric Curtain Track Systems





Electric Curtain Track System

Silent Gliss® 5800



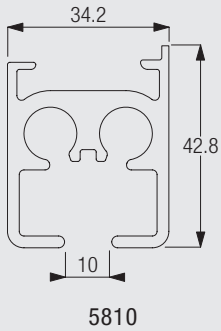
Product Information

- For very heavy installations
- Exceptionally neat profile for size of system, especially compared with traditional stage tracks
- Extremely wide choice of stacking options including multiple stacking
- Profiles can be mounted in parallel for increased overlap
- Emergency stop button
- Floor or wall mounting of motor. Can also be mounted above the track itself
- Non-stretch steel core rope in internal channels
- Automatic limit switches and built in thermal overload
- Motor speed 20cm per second
- Systems may be up to 60m long and curtains 270kg in weight
- Silver only
- Can be combined with Radio Remote Control System Silent Gliss 9940/0450



5800

Profile, Bending and Specification Information

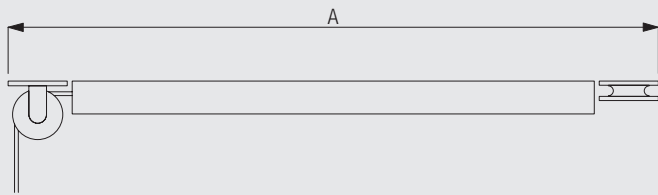


Standard radius 50cm

Specification Guide - download from www.silentgliss.co.uk (password required).

Silent Gliss 5800, electrically operated, anodised aluminium, complete and assembled with motor 5805, cord guide/returns, drive rope and rollers 5809 at 5/m. Track top fixed with Silent Gliss patent fixing clamps 6209 at approx 100cm centres, each clamp screwed plus endpieces. Wiring (by others measured elsewhere) to be strictly in accordance with Silent Gliss wiring diagrams.

How to measure



A: system width

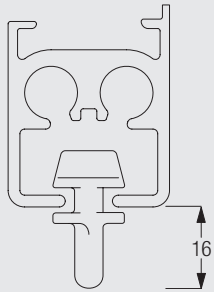
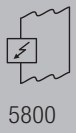


Diagram uses standard glider measured to the inside of the glider eye.



System Dimensions



60m



270kg

Max. curtain weight chart

	10 m	20 m	30 m	40 m	50 m	60 m
	245	227	210	-	-	-
	270	252	234	216	198	180
	185	173	160	-	-	-
	190	180	170	160	150	140
	135	127	120	-	-	-
	140	132	124	116	108	100
	70	65	60	-	-	-
	75	68	61	54	47	40
	55	45	40	-	-	-
	60	57	54	51	48	45

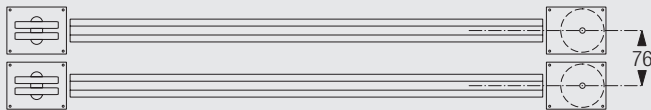
(kg max.)

It is essential with electrically-operated curtain tracks to choose a system which can readily cope with the specific demands to be placed on it. The most crucial factor is the total weight of the curtains to be transported by it but then come further questions such as how the curtains are to stack, are there bends involved, ceiling or wall fix, the type of curtain heading etc.

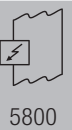
Please refer to load graphs on the application chart. Multiple applications with equally wide curtain stacks are also possible.

System Options

Parallel mounting of profiles



For better overlapping of the curtains, two profiles can be mounted in parallel. Therefore, a minimum distance of 76mm must be observed between centre parts of return pulleys.

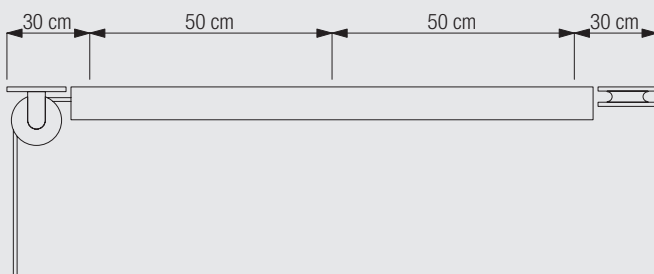


5800

Fitting Information

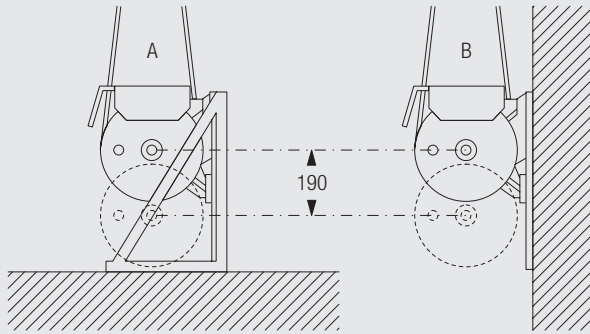
For all electrically operated curtain track systems, a connection point should be made available at a distance of no greater than 1 metre from the motor. This should be discreetly situated behind the curtain taking care that the motor will not obstruct access to the socket.

Bracket and profile positioning



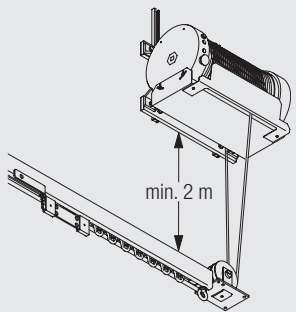
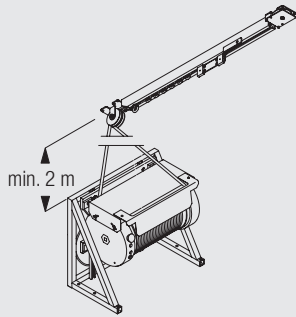
This motor is enormously strong and both fixing points and ceiling must be accordingly solid. Timber soffit at least 4cm thick over complete length of track is recommended.

Fitting of motor



A: Floor fixing (optional)
B: Wall fixing (standard)

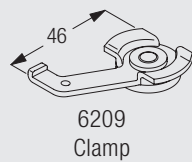
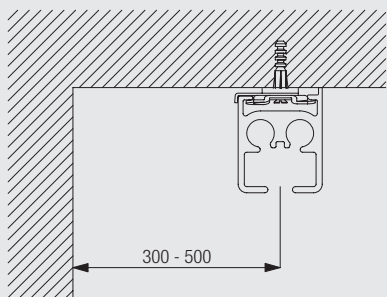
The steel core rope is tensioned by using the motor weight. Vertical variation possible up to 190mm. Minimum distance from track to motor is 2m.



5800

Fitting Options

Ceiling fix with clamp 6209



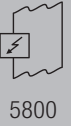
6209
Clamp

Standard Accessories

5805	Motor		5809	Roller glider	
5810	Profile		5811	Overlap arm	
5814	Cable		5815	Cord guide return	
5816	Cord guide		5821	Anchor rail	
5822	Sliding block		5824	Endstop	
6209	Clamp		9916	In-line connector - complete/no lead (was 0766)	

Optional Accessories

0578	Pattress box		0615	Latching switch inc. pattress box	
5741	Klik plug		5742	Klik socket	
5806	Pilot runner		5813	floor frame	
5829	2 hole fixing plate		5829	2 hole fixing plate	
6203	Connecting bridge		6228	Double fixing plate	



5800

Useful Information

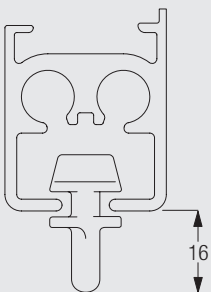
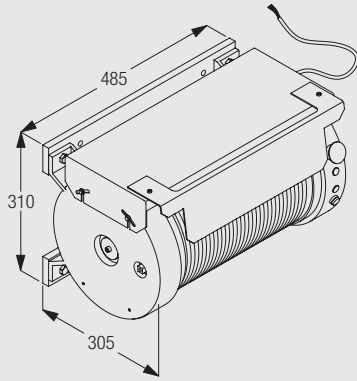


Diagram uses standard gliders measured to the inside of the glider eye.

Motorisation

Motor Silent Gliss 5805

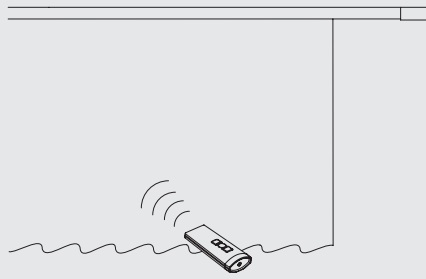


- Torque: 200Nm
- Voltage: 230V/115V
- Frequency: 50V/60Hz
- Power: 500W/550W
- Current: 2.2A/5A
- Speed: 20cm/sec
- Thermal overload Protection
- CEE Standard
- Mechanical end stop
- Weight: 30kg

Operating methods

The 5805 motor can be equipped with a fixed switch. The system is compatible with a variety of other different control systems.
Must not be connected in parallel

Radio Control with Silent Gliss Systems 9940/0450



The system can be combined with Radio Remote Control System Silent Gliss 9940/0450 with minimum wiring. For further details, please refer to catalogue section "Motors & Controls".

Wiring and connections

Important: Wiring diagrams are available from www.silentgliss.co.uk (password required). Please contact Silent Gliss for information on access.



5800



5800



5800

www.silentgliss.co.uk

www.silentglissglobal.com

Silent Gliss Ltd
Pyramid Business Park
Poorhole Lane
Broadstairs
Kent
CT10 2PT
Great Britain

Tel: +44 (0) 1843 863571
Fax: +44 (0) 1843 864503
info@silentgliss.co.uk

Silent Gliss Global Ltd
Pyramid Business Park
Poorhole Lane
Broadstairs
Kent
CT10 2PT
Great Britain

Tel: +44 (0) 1843 874250
Fax: +44 (0) 1843 874457
info@silentglissglobal.com