

# ROOFLIGHT SYSTEMS

KUROLOK RL™ & HELIOS RL™





## ABOVE & BEYOND™

**Above** your head and **beyond** your reach. High-level windows, rooflights, north lights, atria. Flooding spaces with daylight. Reducing reliance on artificial lighting. Saving electricity. Creating happier and healthier places to live and work.

Daylight comes from the sun. Glare and heat-gain do too.

You want the benefits of daylight but with shade from glare and heat. You want to darken during daylight hours if you need to. And you want to maximise daylight when there's no direct sunshine.

**If only you could control daylight at the push of a button.**

***You can.***

Our range of rooflight blinds provide dynamic shading for out-of-reach glazing at any angle.

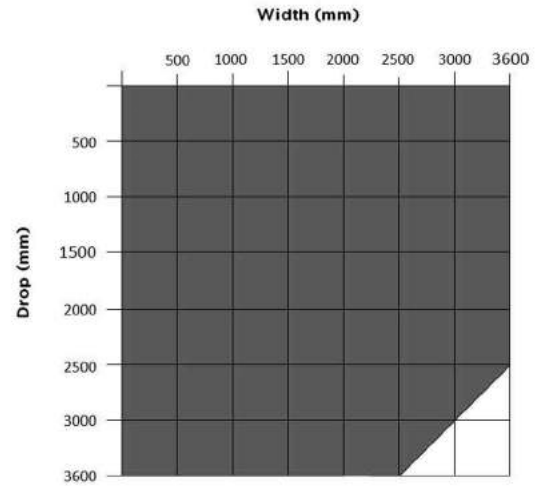
**Blinds that go **above and beyond** in every sense of the word.**

**KuroLok RL™ | Helios RL™  
Brighter Shading™**

# KUROLOK RL™ FEATURES

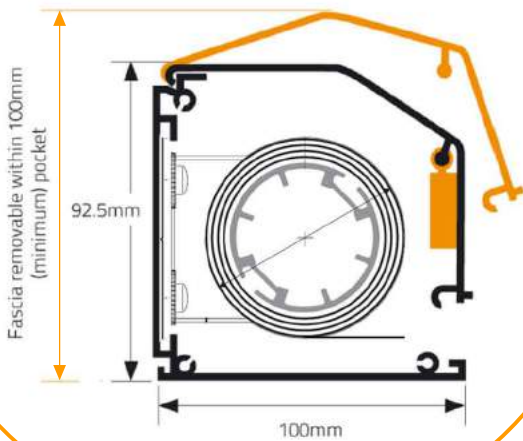
- Tensioned roller blind, fully enclosed within cassette and side channels
- Operated by electric motor or manual gear and tensioned by powerful Constant Tension Spring units.
- Blackout or sunscreen fabric is locked into the side channels along its full length to minimise sagging.
- Cassette and side channels finished in white (RAL9016) as standard. Any RAL colour available to order

## MAXIMUM DIMENSIONS

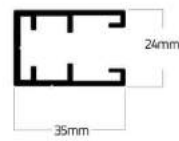


## PROFILE DIMENSIONS

### Cassette



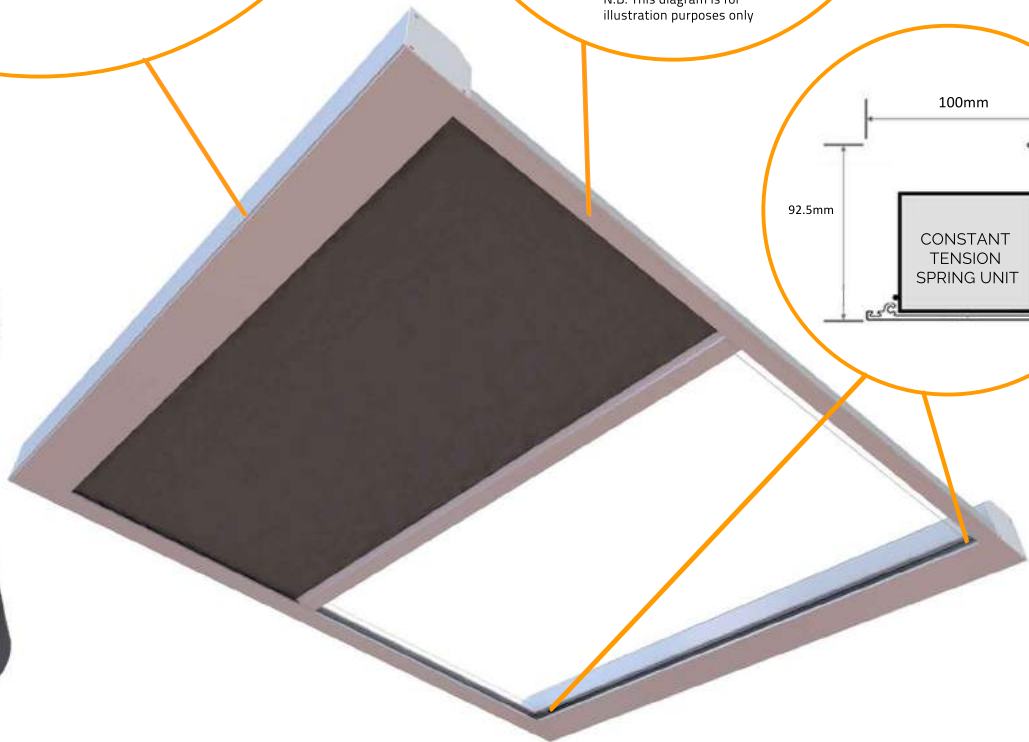
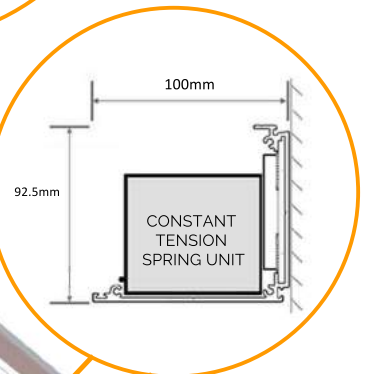
### Side Channel



**NEW**  
fabric locked in side channels



N.B. This diagram is for illustration purposes only



### ULTIMATE CONTROL

Motorised operation

\* Recommended method

- European-made motors
- Hardwired or radio control
- BMS integration available



### STRONG

Crank handle operation

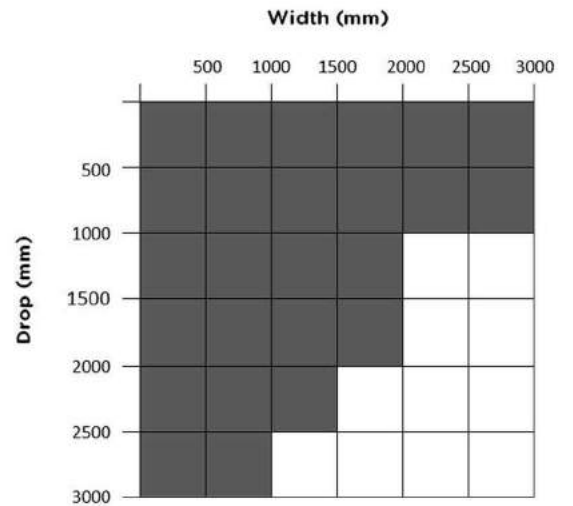
\* For smaller sizes

- German-made gearbox
- 3.5Nm lifting force
- 3:1 reduction gear

# HELIOS RL™ FEATURES

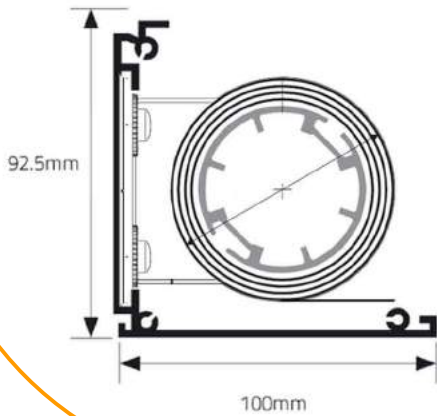
- Tensioned roller blind with fixing profile and integrated fascia.
- Hembar supported by stainless steel side guide wires.
- Operated by electric motor or manual gear and tensioned by powerful Constant Tension Spring units
- Blackout or sunscreen fabrics available in a range of colours.

## MAXIMUM DIMENSIONS

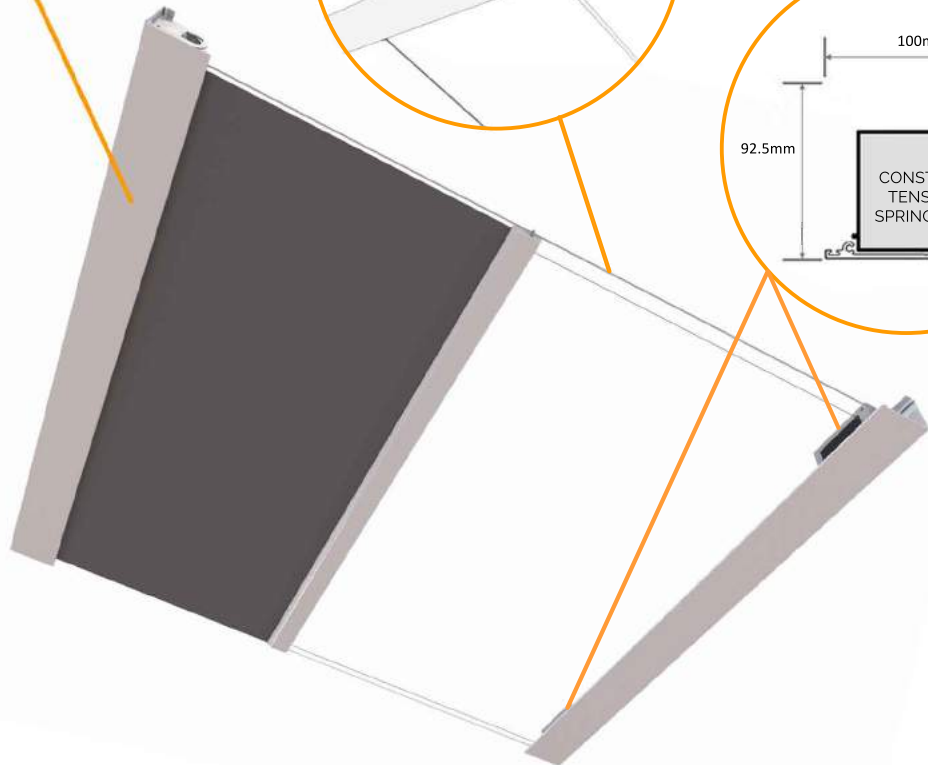
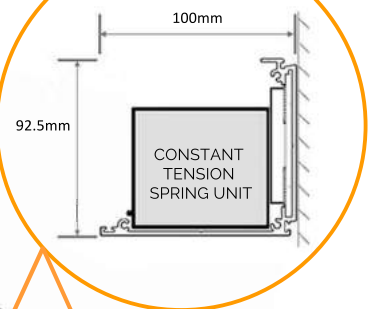


## PROFILE DIMENSIONS

Fascia



**NEW**  
Stainless steel  
side guide wires



### ULTIMATE CONTROL

Motorised operation  
\* Recommended method

- European-made motors
- Hardwired or radio control
- BMS integration available



### STRONG

Crank handle operation  
\* For smaller sizes

- German-made gearbox
- 3.5Nm lifting force
- 3:1 reduction gear